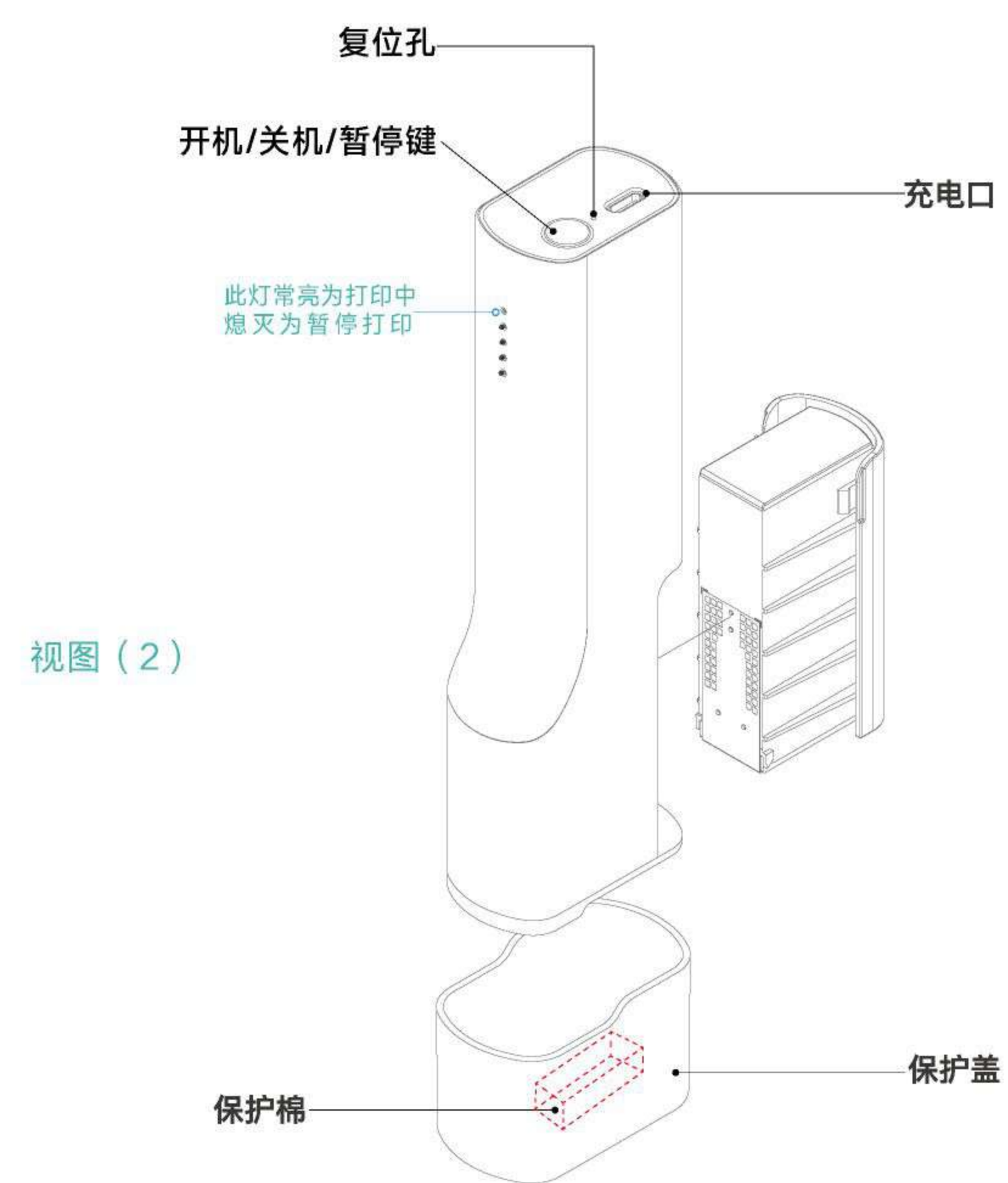
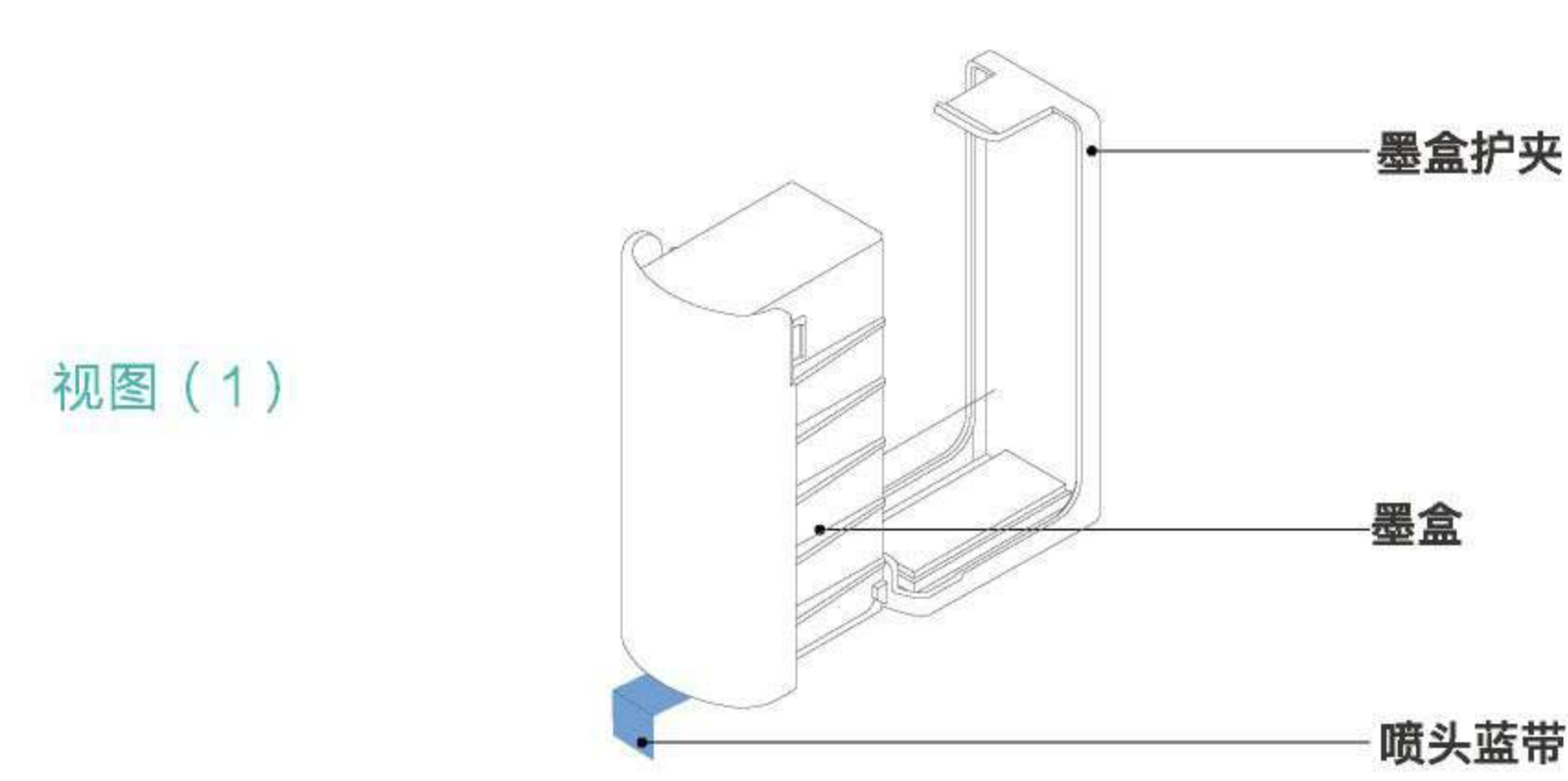


产品简介



操作步骤

- 1 扫码下载: PrintPen
- 2 取下墨夹撕下喷头处封带
- 3 安装墨盒
- 4 长按键3秒开机
- 5 打开APP点击右上角“未连接”
- 6 点击添加蓝牙信号自动完成连接
- 7 选择好素材后,需点击下方的“传图打印”上传素材至100%
- 8 向右滑动打印机进行打印(传图成功后断开连接仍可反复打印)
- 9 如打印过程中需要暂停,可按压按键暂停,暂停状态可更换新的素材

扫描下方二维码 扫描观看视频教程

辅助尺使用方法
帮助定位打印内容的位置



把机器放在辅助尺镂空的边缘对齐,向右滑动一个机身过后开始打印,图案出现起始位置大概在横向刻度0 (START) 的位置

打印位置定位



墨盒维护

墨盒喷头芯片十分精密,应避免长时间暴露在空气中造成风干或沾到灰尘堵塞喷头的现象,每次使用完后用机器盖子盖上,长时间不使用如(2-3天)建议取下墨盒,放回墨夹中密封保存。如出现打印断墨的情况,请将墨盒取下,用纸巾折叠后包住墨盒喷头,用力甩几下,再按压几秒,确保有按出墨后擦拭干净再装上使用即可。

参数

名称	PrintPen	无线连接	蓝牙4.2
外形尺寸	17.4cm x 5.3cm x 3cm	最大功率	10W
产品重量	240g	输入参数	5V ---2A

保修政策

- 1.本产品将会提供终身免费升级服务;
- 2.若产品本身有材料或工艺缺陷,请与当地经销商联系进行维修或更换;
- 3.本产品提供整机保修一年的服务。保修期自客户收到产品之日开始计算,在保修期内,本产品出现性能故障情况,可免费享受维修服务。

非保修条例

- 1.未经授权的维修、误用、碰撞、疏忽、滥用、进液、事故、改动、不正确的使用非本产品配件,撕毁、涂改标贴、防伪标记;
- 2.已超过三包有效期;
- 3.因不可抗力造成的损坏;
- 4.因人为原因导致本产品及配件产生性能故障。

安全警告

모델명: PYB 인종번호: R-R-Sze-PYB 제품명: PrintPen 제조사: 중국산 제조년월: 2020년 01월 해당무선설비는무선중전파통신가능성이있음 해당무선설비는전파통신가능성이있으므로인명안전과관련된서비스는할수없음

제조자및제조국가: Foxconn Technology Group/China 제조국: 중국산 제조년월: 2020년 01월 해당무선설비는무선중전파통신가능성이있음 해당무선설비는전파통신가능성이있으므로인명안전과관련된서비스는할수없음

Print Pen PYB-1 BATTERY PC600000 ---3.7V/1500mAh T46ST MADE IN CHINA

RoHS PS E Contains FCC ID:2AC7Z-ESPWROOM02D 执行标准: GB 4943.1-2011

售后联系方式

- 1.售后电话:189 2344 2019
- 2.邮箱:service@evebot.cc
- 3.售后微信:189 2344 2019

PRINTPEN
使用说明书

Warranty Terms

- 1.EVEBOT will offer free software upgrade service.
- 2.Manufacturing defects in materials or workmanship of the product, please contact local dealer for repair or replacement.
- 3.EVEBOT will provide a 12 month warranty. The limited warranty starts from the day the customer receives the product. During the warranty period, a free repair or replacement service shall be provided in warranty terms.

No-warranty Terms

- 1.Violations against warranty, including but not limited to customer induced damage, such as self-repairs, exposure to water, damage caused by misuse, alternation, failure to comply with product manual, and so on.
- 2.Exceeding warranty period.
- 3.Damage caused by force majeure.
- 4.Performance and accessories failure caused by human factors.

Safety Warning

모델명: PYB 인종번호: R-R-Sze-PYB 제품명: PrintPen 제조사: 중국산 제조년월: 2020년 01월 해당무선설비는무선중전파통신가능성이있음 해당무선설비는전파통신가능성이있으므로인명안전과관련된서비스는할수없음

제조자및제조국가: Foxconn Technology Group/China 제조국: 중국산 제조년월: 2020년 01월 해당무선설비는무선중전파통신가능성이있음 해당무선설비는전파통신가능성이있으므로인명안전과관련된서비스는할수없음

Print Pen PYB-1 BATTERY PC600000 ---3.7V/1500mAh T46ST MADE IN CHINA

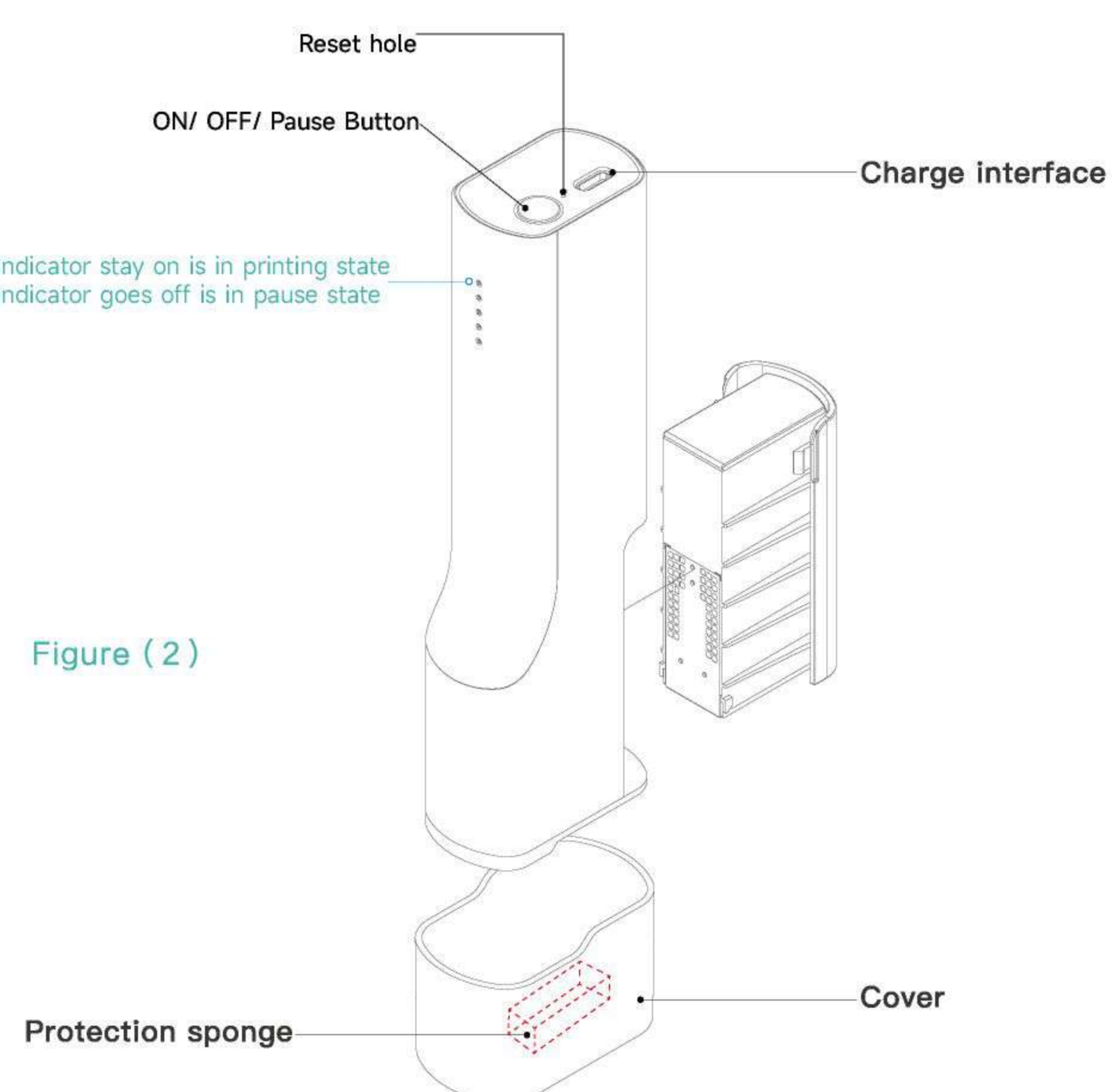
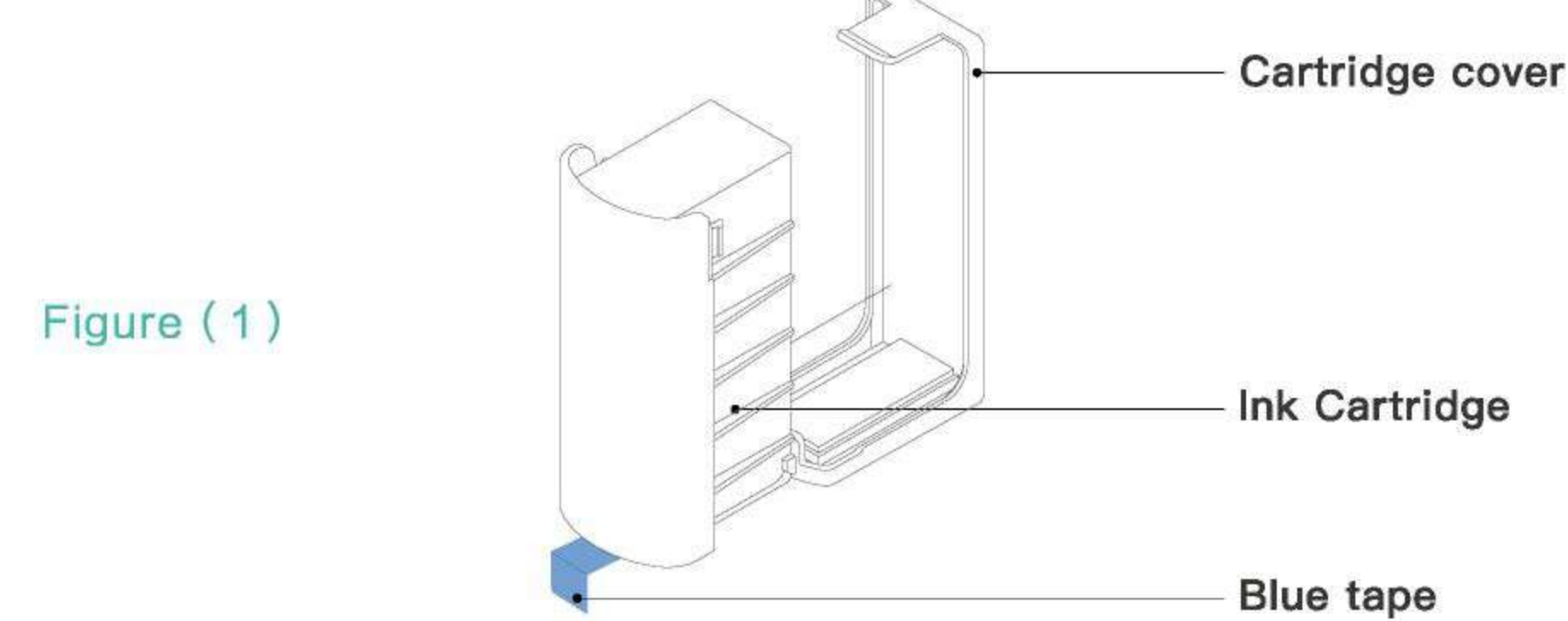
RoHS PS E Contains FCC ID:2AC7Z-ESPWROOM02D 执行标准: GB 4943.1-2011

After-sales contact information

- 1.Phone number: +86 189 2344 2019
- 2.E-mail: service@evebot.cc
- 3.Wechat: +86 189 2344 2019

PRINTPEN
User Manual

Introduction

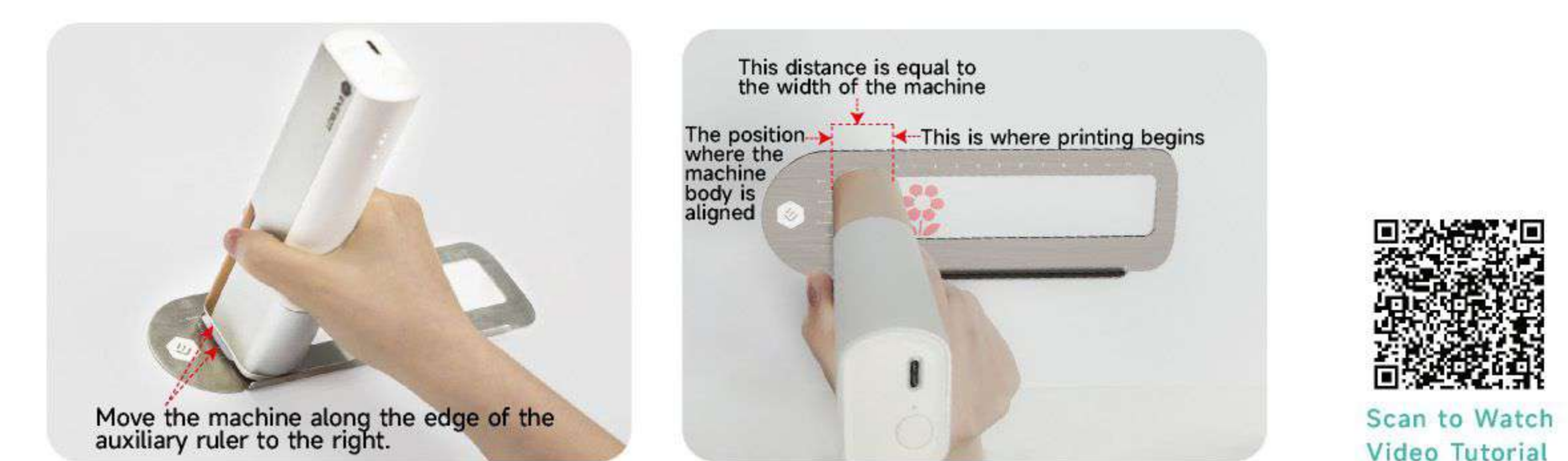


Quick Start Guide

- 1 Scan QR code to download APP "PrintPen"
- 2 Remove the cartridge clip and blue tape
- 3 Install cartridge
- 4 Long press the ON/OFF Button for 3s to turn on device
- 5 Open the APP, click "Not connected" in the upper right corner
- 6 Click to add Bluetooth signal to automatically complete the connection
- 7 Select the image to be printed, click "Print" and upload the material to 100%
- 8 Sliding the printer to right to print (the device can still print when the connection is disconnected after successful image transfer)
- 9 If you need to pause during the printing process, press the round button to pause, and the paused state can be replaced with new material

Scan Code to View Operation Tutorial

Instructions for Using The Auxiliary Ruler
Help to Locate The Position of The Print



Place the machine at the edge of the hollow part of the auxiliary ruler and slide it to align with one body width to start printing. The approximate starting position of the pattern will be at horizontal scale 0 (START)

Print Position Positioning



Ink Cartridge Maintenance

The printhead chip of ink cartridge is very delicate and should be protected from air exposure to prevent drying out. After each use, cover the cartridge with the machine cover. If not in use for an extended period (2-3 days), it is recommended to remove the ink cartridge and seal it in the cartridge clip. In case of ink interruptions during printing, remove the ink cartridge and wrap a tissue around the printhead. Shake it for a few times, then press on tissue for a few seconds to ensure proper ink flow. Wipe the printhead clean after pressing out any excess ink before reinstalling for use.

Parameters

Product Name	PrintPen	Connectivity	Bluetooth 4.2
Dimensions	17.4cm x 5.3cm x 3cm	Operation Power	10W
Net Weight	240g (cartridge included)	Input Parameters	DC/5V=2A